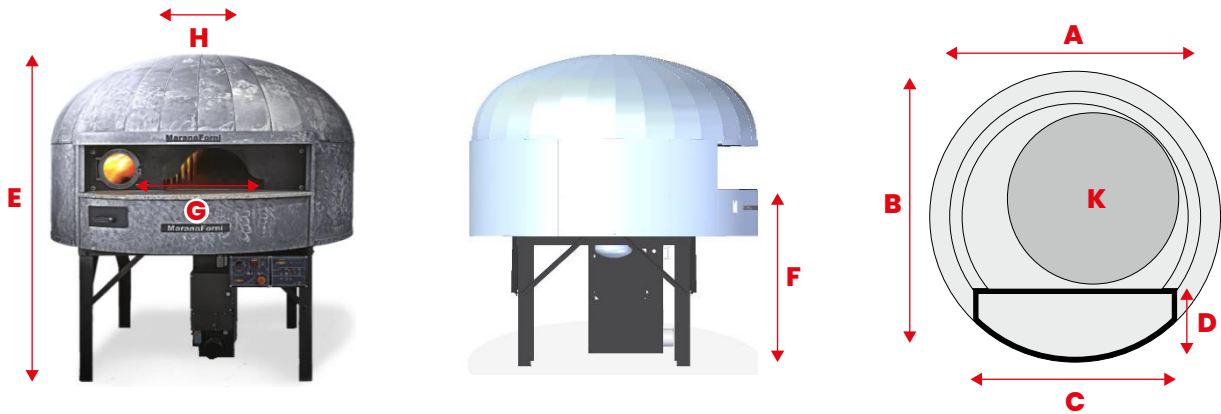


TUTTOTONDO® TT T 85

ROTATING OVEN

Cupola Napoli Covering



A Oven Width **B** Oven Depth **C** Frontal Width **D** Frontal Depth
E Oven Height **F** Height From The Floor **G** Oven Door Width **H** Exhaust Diameter

MODEL	H	A	B	C	D	E	F	G	K-PIZZAS CAPACITY	WEIGHT Lb
TTT85	ø8	54	54	36	12	77	47*	17	ø11 inch x5 ø13 inch x4	1.697

Measures in INCH with variation +/-2%.

Electrical Characteristic

VOLT	HERTZ	MOTORS POWER	
220/230 - SINGLE PHASE	50/60	ROTO = 0,13 kW	ROTO SU&GIU=0,46 kW

Hourly Consumption of Fuels

MODEL	HEATING		COOKING	
	WOOD Lb	BTU	WOOD Lb	BTU
TTT85	12	68.243	5	27.297
QUANTITY OF AIR FOR THE COMBUSTION PER BTU			WOOD = 4m ³	