

SUN50 TL

Spiral mixer with fixed bowl
Dough capacity Kg 50



- Mixing **capacity 50 kg.**
- Recommended **hydration from 55% to 100%.**
- Variable **speed 70/210 rpm.**
- Control panel at the top of the machine.
- Belt transmission.
- Retractable castors.
- Heavy-duty stainless-steel bowl, spiral arm, and breaking bar.
- Bottom of the bowl in hemispherical shape.
- Safety stainless-steel grid over the bowl.
- Pre-lubricated ball bearing transmission.
- Non-toxic powdered epoxy certified coating.
- Electrical system and safety devices made in accordance with CE regulation.

OPERATION

- Make sure the machine is off.
- Raise the bowl guard until it stops against the rubber rest.
- Load the machine with ingredients of the type and quantity required.
- Lower the bowl guard on its rest.
- Set the switch to desired speed according to your recipe.
- Push the button "Start" in accordance with the desired speed.
- Once the mixing is complete, empty the bowl.

Touch screen panel legend: described in the user manual.

SUN50 TL

Spiral mixer with fixed bowl
Dough capacity Kg 50

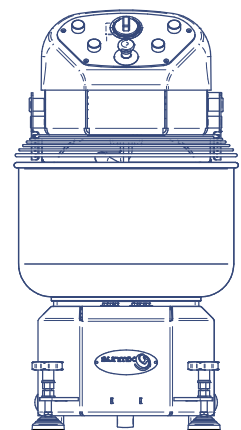
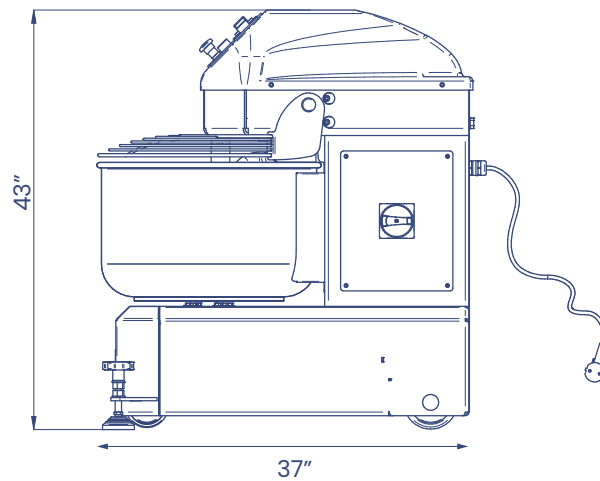
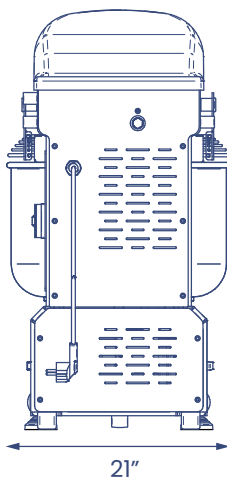


DIMENSIONS & CAPACITY

| | |
|--------------------|-------------|
| MAX DOUGH CAPACITY | 45 kg/99 lb |
| MIN DOUGH CAPACITY | 5 kg/10 lb |
| FLOUR CAPACITY | 26 kg/57 lb |
| BOWL VOLUME | 71 qt |
| A - LENGTH | 21" |
| B - DEPTH | 37" |
| C - HEIGHT | 43" |

TECHNICAL SPECIFICATION

| | |
|---------|---------------------|
| VOLTAGE | 230V/60Hz/1-Phase |
| MOTOR # | 1 |
| Speed | Variable 70/210 rpm |
| POWER | 2200 W |
| AMP | 12 |
| HP | 2,99 |
| WEIGHT | 485 lb |



PACKAGING SPECIFICATION

HEAVY DUTY WOODEN CRATE

| | |
|--------------|--------|
| A - LENGTH | 51" |
| B - DEPTH | 33" |
| C - HEIGHT | 51" |
| CRATE WEIGHT | 216 lb |
| GROSS WEIGHT | 701 lb |



SUN50 TL

Spiral mixer with fixed bowl
Dough capacity Kg 50



CONTROL PANEL

BUTTONS LEGEND

- A** Start
- B** Stop
- C** Emergency button
- D** Timer
- E** Speed variator



For safety reasons the mixer is delivered without a plug, a licensed electrician is required to connect it to the outlet.