

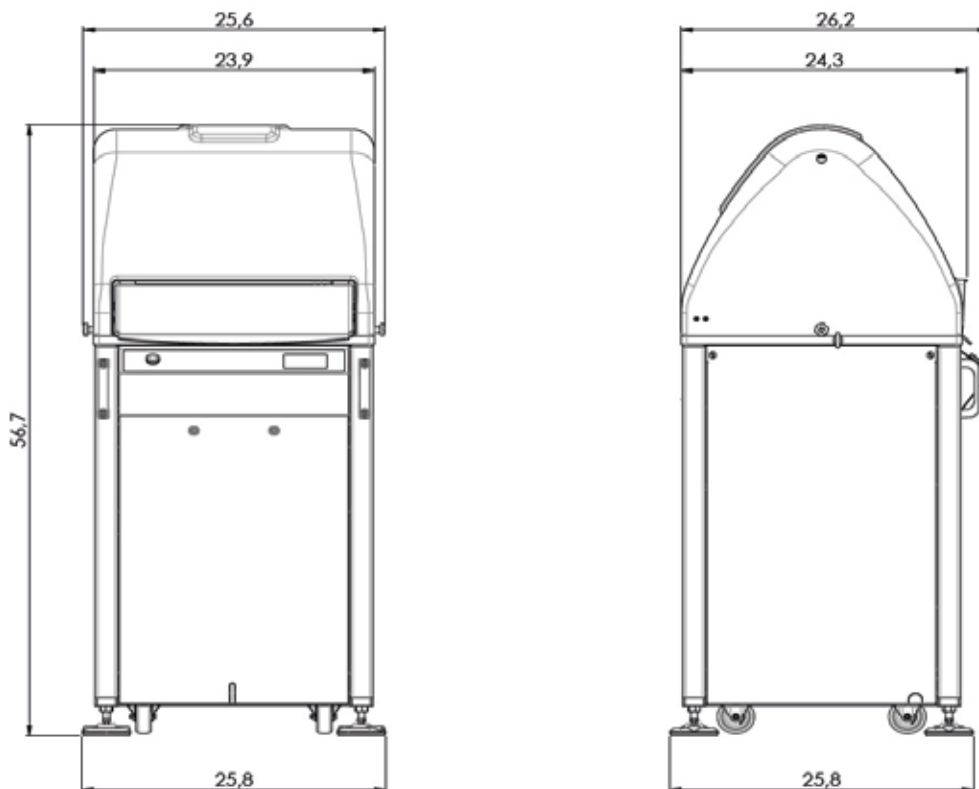


Automatic divider rounder with three cylinders. Equipped with a 4,5" and 12 programs touchscreen for saving programs, names, pressing parameters, chamber height and rounding time. Cleaning cycle included. The two handles and the lever-activated trolley (optional accessory) allows to easily raise and move the machine for floor cleaning operations

Technical specifications

X = Standard ○ = Optional	DR-A	Weight / gr	Capacity / kg
Powder painted steel frame	X		
S/steel knives	X		
3 trays as a standard	X		
4,5" and 12 programs touch screen	X		
Tray holder	○		
DR-A/11		180-500	5,5
DR-A/15		150-360	5,5
DR-A/22		60-220	5
DR-A/30		40-135	4
DR-A/36		34-110	4
DR-A/30s		25-90	2,7
DR-A/52		12-40	2
Voltage/kw	208V-3ph-60Hz-0,75kw		
Net/gross weight Lbs	562 / 613		
Packing dim.	39" x 39" x 70"h		

(*) Weights may vary depending on product leavening



Images, photos, technical data, weights and features illustrated herein are only for information purposes and may contain optional accessories. They are not binding and may vary according to the model and the setting up.