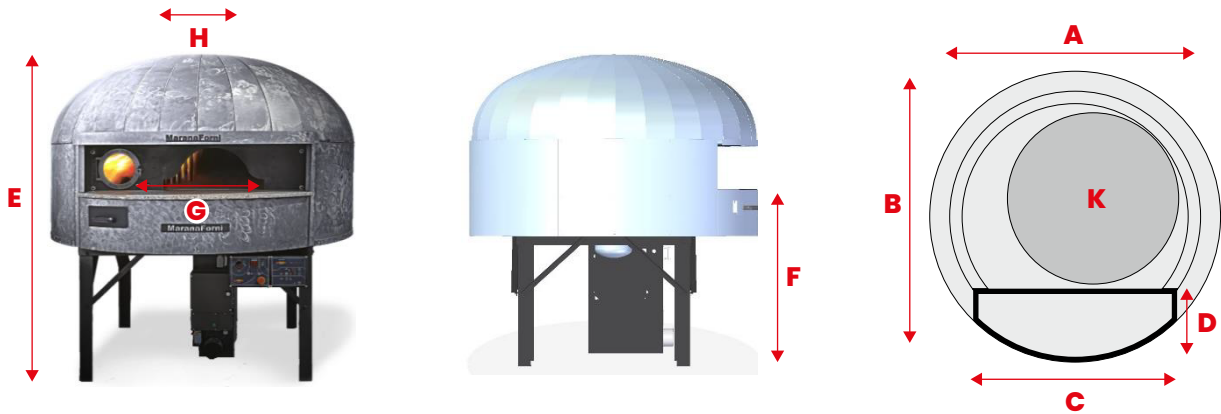


TUTTOTONDO® TT T 95

ROTATING OVEN

Cupola Napoli Covering



A Oven Width | **B** Oven Depth | **C** Frontal Width | **D** Frontal Depth
E Oven Height | **F** Height From The Floor | **G** Oven Door Width | **H** Exhaust Diameter

MODEL	H	A	B	C	D	E	F	G	K-PIZZAS CAPACITY	WEIGHT Lb
TTT95	ø8	60	60	39	13	74	47*	17	ø11 inch x7 ø13 inch x5	2.072

Measures in INCH with variation +/-2%.

Electrical Characteristic

VOLT	HERTZ	MOTORS POWER	
220/230 - SINGLE PHASE	50/60	ROTO = 0,13 kW	ROTO SU&GIU=0,46 kW

Hourly Consumption of Fuels

MODEL	HEATING		COOKING	
	WOOD Lb	BTU	WOOD Lb	BTU
TTT95	16	92.128	6	31.050
QUANTITY OF AIR FOR THE COMBUSTION PER BTU			WOOD = 4m ³	